

RECO

GATE ARM WIND BRACKETS

RECO (Railway Equipment Company) has been manufacturing safe and reliable products for freight and transit railroads since 1980. We are dedicated solely to the railway business and no other.

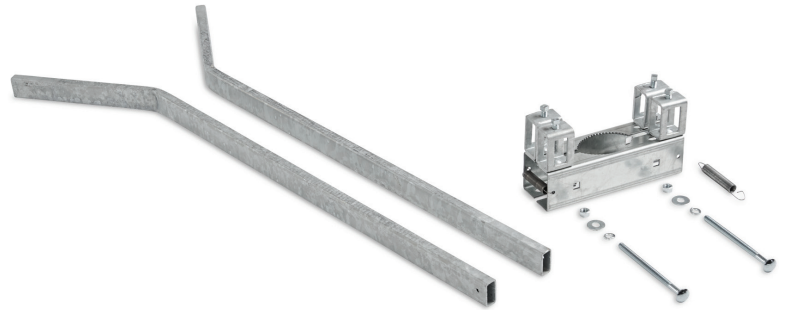
While leading the charge in new innovative technology, we continue to improve our products in a constant effort to provide our customers with the very best.

CONTACT US

763.972.2200
sales@rwy.com

525 9th Street S
Delano, MN 55328

RWY.COM



» FEATURES

- Constructed of galvanized steel, the wind bracket arms are fully adjustable
- The wind bracket can be ordered for either a 5" or 5.5" outside-diameter (O.D.) mast

» BENEFITS

- Keep gate arms from being buffeted by high winds and from coming in contact with other structures while in the vertical position
- One-man installation

More durable than aluminum construction

